

$$y = \tan x$$

Period: π

Domain: all

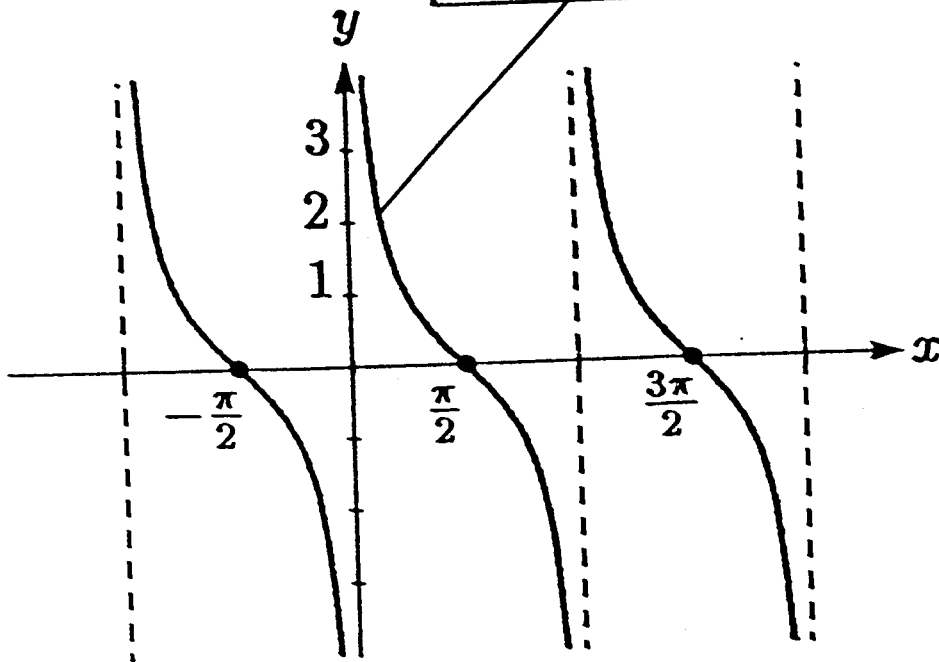
$$x \neq \frac{\pi}{2} + n\pi$$

Range: $(-\infty, \infty)$

Vertical asymptotes:

$$x = \frac{\pi}{2} + n\pi$$

$$y = \cot x$$



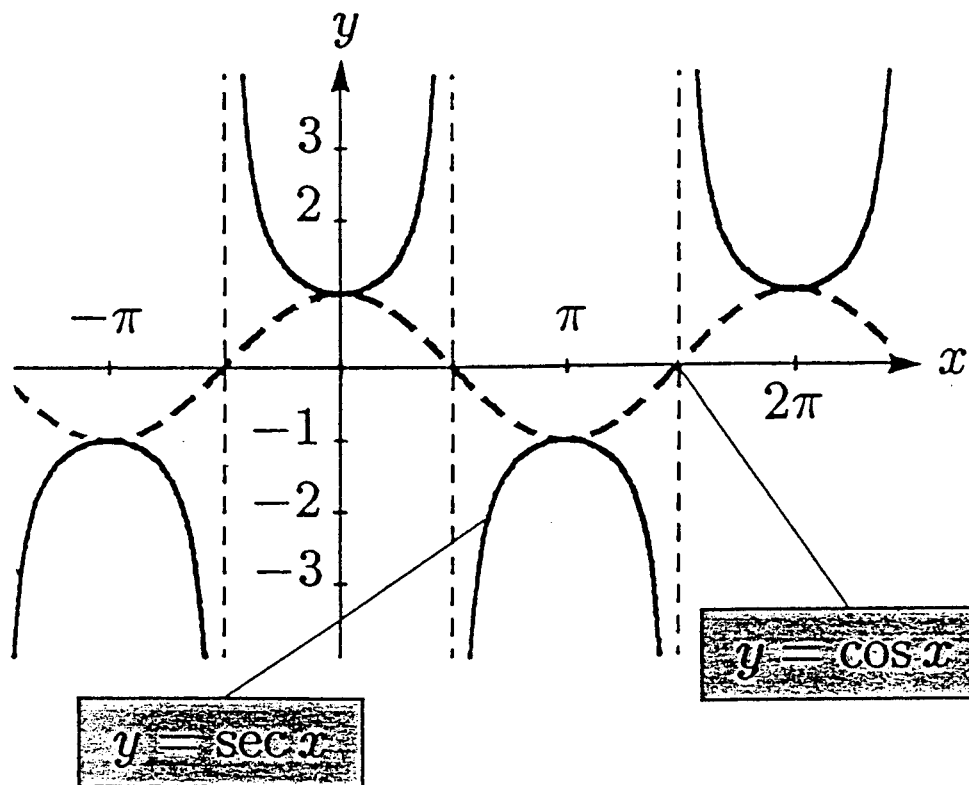
Period: π

Domain: all $x \neq n\pi$

Range: $(-\infty, \infty)$

Vertical asymptotes:

$$x = n\pi$$



Period: 2π

Domain: all

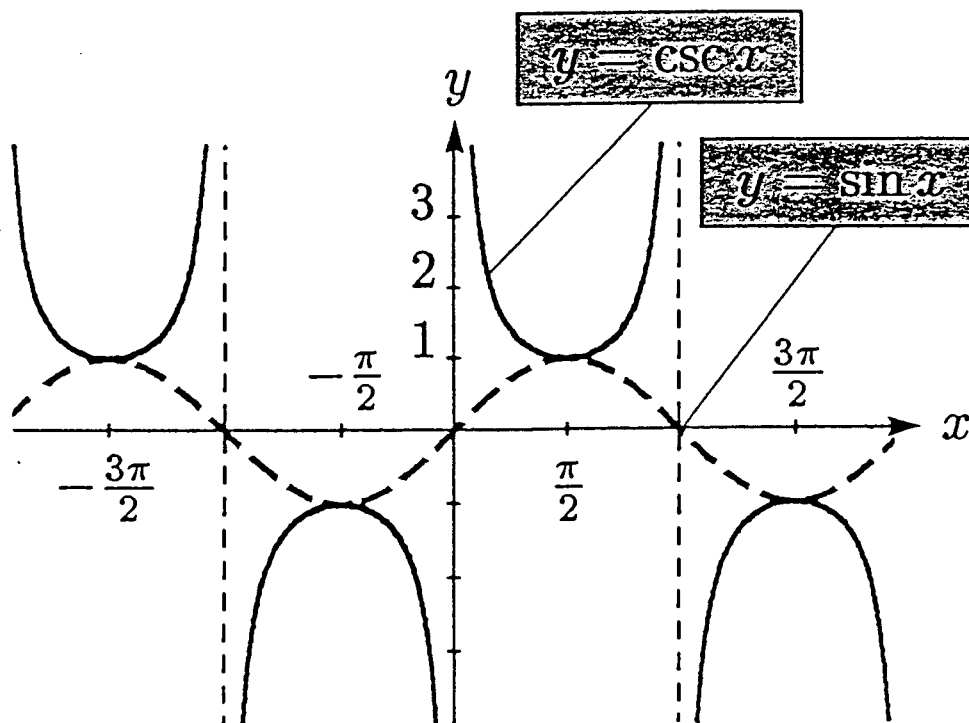
$$x \neq \frac{\pi}{2} + n\pi$$

Range: all

$$y \notin (-1, 1)$$

Vertical asymptotes:

$$x = \frac{\pi}{2} + n\pi$$



Period: 2π

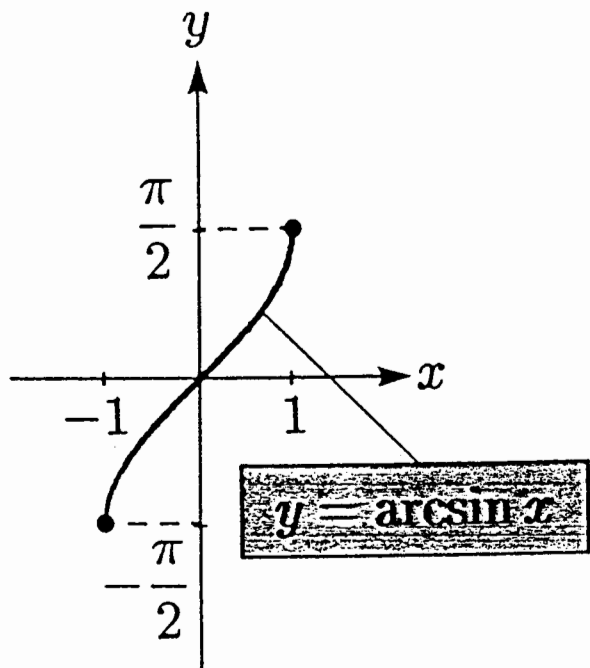
Domain: all $x \neq n\pi$

Range: all

$$y \notin (-1, 1)$$

Vertical asymptotes:

$$x = n\pi$$

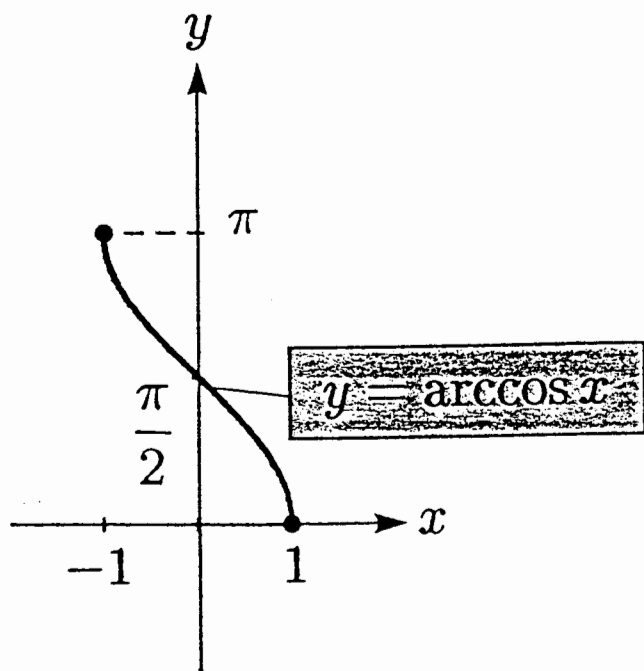
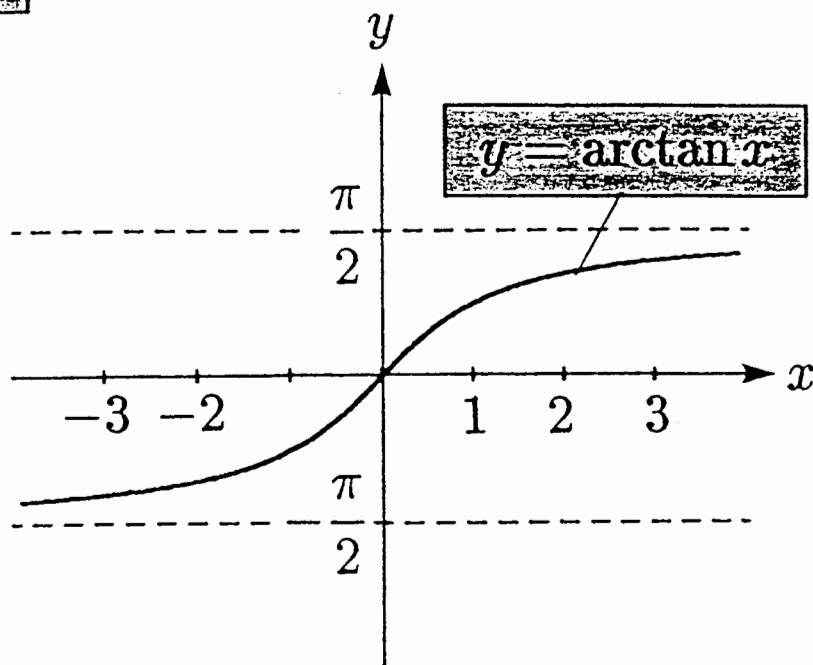


Domain: $[-1, 1]$

Range: $[-\frac{\pi}{2}, \frac{\pi}{2}]$

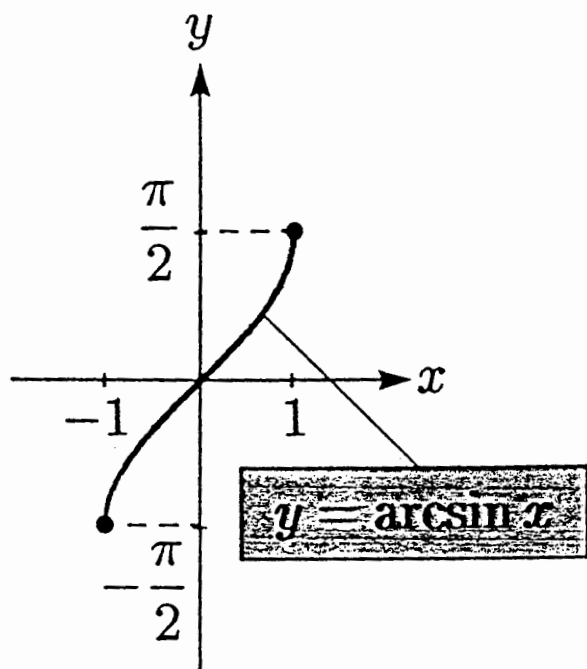
Domain: $(-\infty, \infty)$

Range: $(-\frac{\pi}{2}, \frac{\pi}{2})$



Domain: $[-1, 1]$

Range: $[0, \pi]$

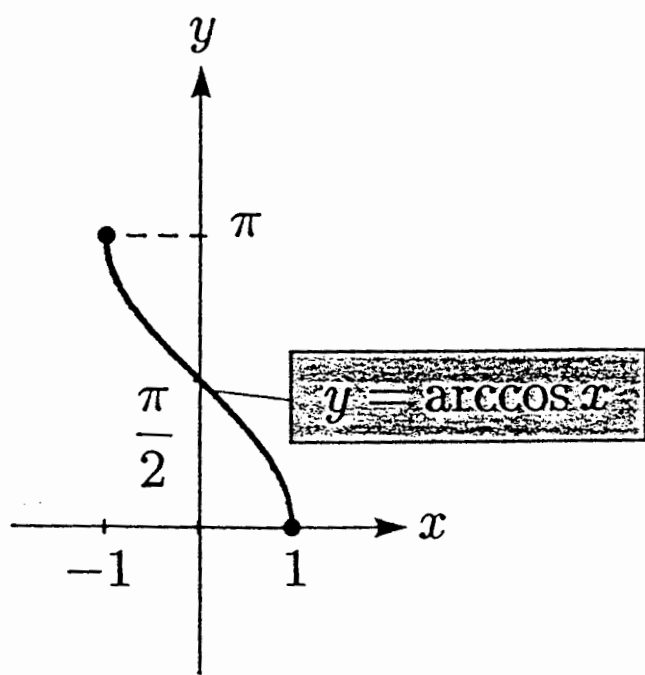
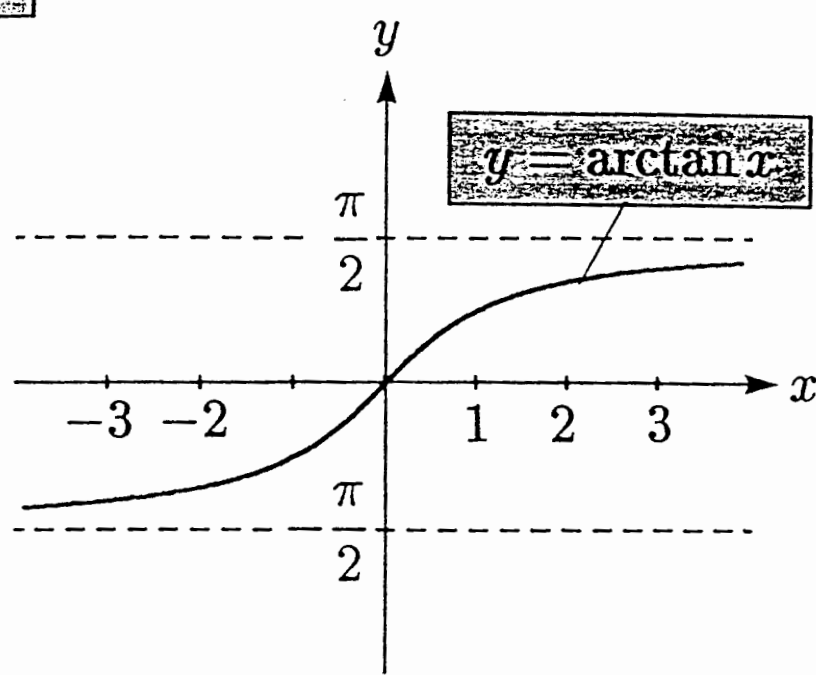


Domain: $[-1, 1]$

Range: $[-\frac{\pi}{2}, \frac{\pi}{2}]$

Domain: $(-\infty, \infty)$

Range: $(-\frac{\pi}{2}, \frac{\pi}{2})$



Domain: $[-1, 1]$

Range: $[0, \pi]$